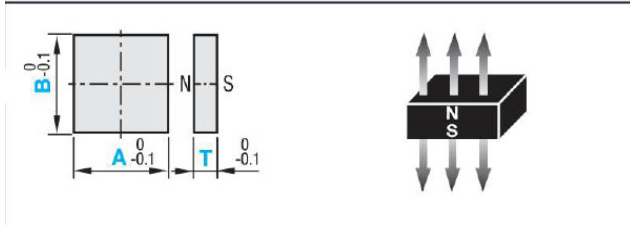
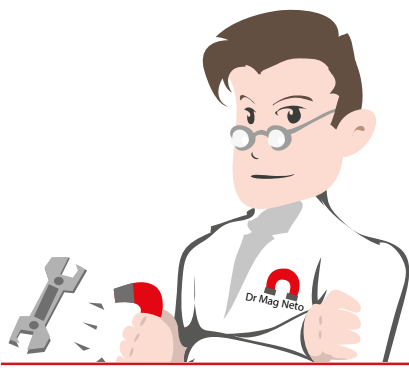


Magnets for sensors Neodymium

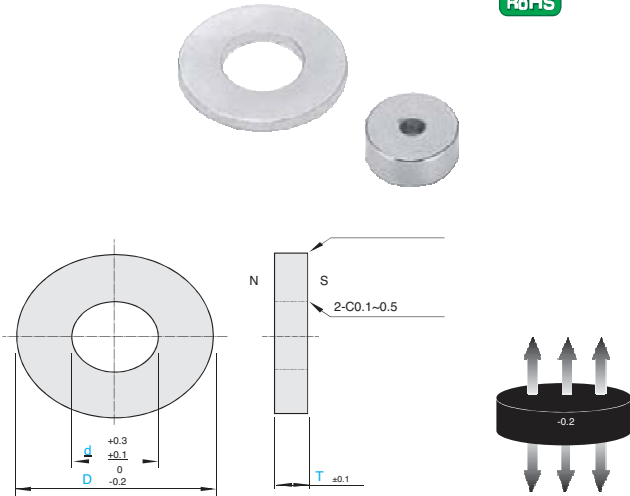


Block-shaped sintered neodymium magnet					
Model	A	B	T	Force of attraction N(kgf)	Magnetic surface flux in Gauss [G]
NyoMag Block	3	3	5	2.8{0.29}	4100-4300
	4	4	5	5.6{0.57}	4300-4500
	5	5	5	8.9{0.91}	4400-4600
	6	6	6	13.7{1.4}	4500-4700
	8	8	6	23.2{2.37}	4400-4600
	10	5	1	2.7{0.28}	1700-1900
			2	8.5{0.87}	3000-3200
			5	16.8{1.71}	4200-4400
		10	1	6.5{0.66}	1800-2000
			2	11.8{1.2}	2500-2700
			8	39.3{4.01}	4500-4700
	15	5	3	13.9{1.42}	3100-3300
			5	23.7{2.42}	4100-4300
			10	31.4{3.2}	4700-4900
		10	3	23.9{2.44}	2900-3100
			5	34.3{3.5}	3300-3700
			10	61.4{6.27}	4600-4800
	20	5	10	40.8{4.16}	4600-4800
			5	47.7{4.87}	3500-3700
		10	10	77.8{7.94}	4700-4900
15			69.7{7.11}	3300-3700	
30	20	5	84.8{8.65}	3100-3300	
	20	5	110.8{11.31}	3300-3700	

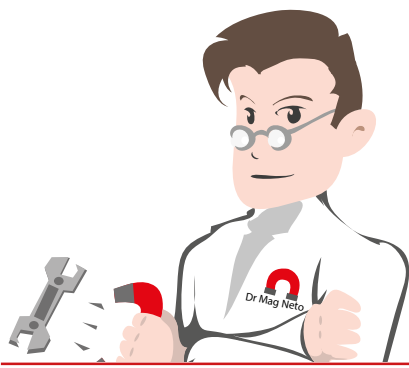


Magnets for sensors Neodymium

RoHS



Ring-shaped sintered neodymium magnet					
Model	D	d	T	Force of attraction N(kgf)	Magnetic surface flux in Gauss [G]
NyoMag Ring	6	2	2	6.2 {0.6}	2600-2800
			3	8.0 {0.8}	3200-3400
	8	3 4	1	4.9 {0.5}	1600-1800
			2	7.8 {0.8}	2600-2800
			3	9.8 {1.0}	3200-3400
			5	14.3 {1.5}	3200-3800
	10	3 4 5 6	1	6.9 {0.7}	1700-1900
			2	10.8 {1.1}	2600-2800
			3	11.8 {1.2}	3200-3400
	10	4 5 6	5	18.8 {1.9}	3600-3800
			12	4 5 6 8	1
	2	13.7 {1.4}	2500-2700		
	3	15.7 {1.6}	2900-3100		
	12	4 6 8	5	23.3 {2.4}	3600-3800
	14	6 8	1	8.8 {0.9}	1600-1800
			2	19.6 {2.0}	2600-2800
			3	23.5 {2.4}	2900-3100
	14	5	36.0 {3.7}	3600-3800	
	18	6 8 12	3	48.6 {5.0}	2900-3100
	20	6 8 10 12	1	10.8 {1.1}	1300-1500
2			21.6 {2.2}	2200-2400	
3			33.3 {3.4}	2600-2800	
6 12		5	62.3 {6.3}	3600-3800	
25	6 8 10 12	1	12.7 {1.3}	1300-1500	
		2	34.3 {3.5}	2100-2300	
		3	58.8 {6.0}	2600-2800	
	6 12	5	73.8 {7.5}	3400-3600	
30	12	5	98.5 {10.0}	3000-3200	



Magnets for sensors **Neodymium**

NEODYMIUM MAGNET - N35UH GRADE - T.MAX 150°C

		D6x25 mm	D9x28 mm
DISTANCE (mm)	2.5	2500-2600	3300-3400
	5	710-720	1400-1500
	7.5	300-310	870-880
	10	140-150	490-500

