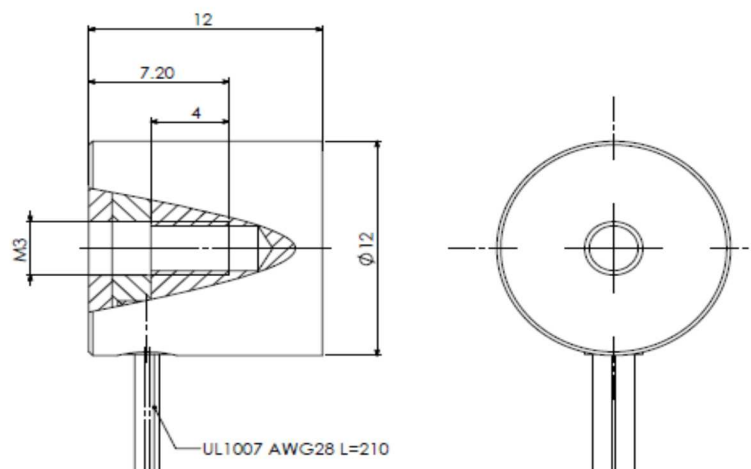


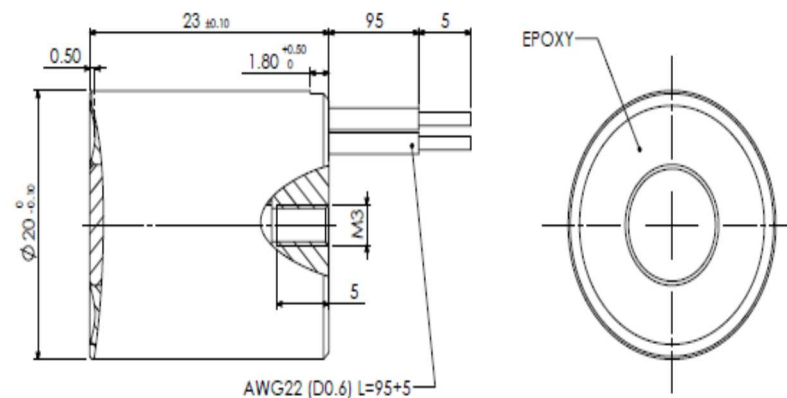
ELECTROMAGNET CIRCULAR SHAPE – ENERGIZE TO RELEASE:

ITEM 12.12.1



Weight: 0,008 Kg.
 Power: 6W
 Permanent holding force: 1.0kgs (10N)
 Anchor Plate Thickness: 1mm
 Duty Cycles: 10%
 Voltage: 12VDC or 24VDC

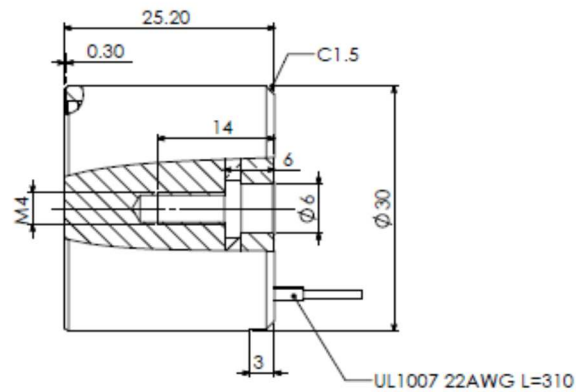
ITEM 20.23.3



Weight: 0,043 Kg.
 Power: 6W
 Permanent holding force: 3.0kgs (30N)
 Anchor Plate Thickness: 2.5mm
 Duty Cycles: 10%
 Voltage: 12VDC or 24VDC

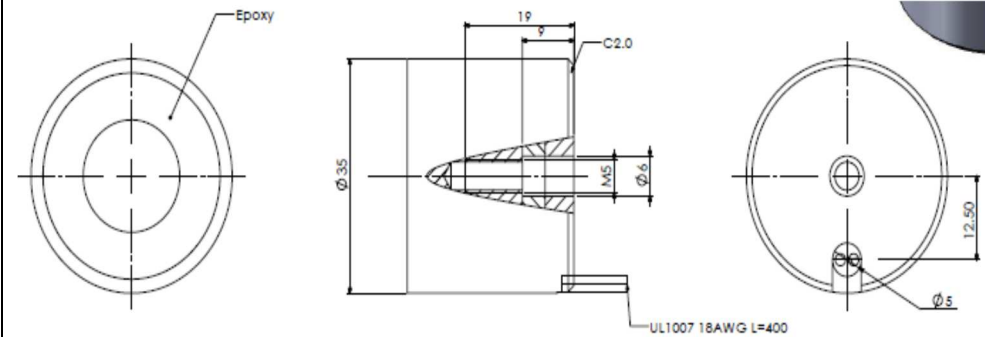
ELECTROMAGNET CIRCULAR SHAPE – ENERGIZE TO RELEASE:

ITEM 30.25.18



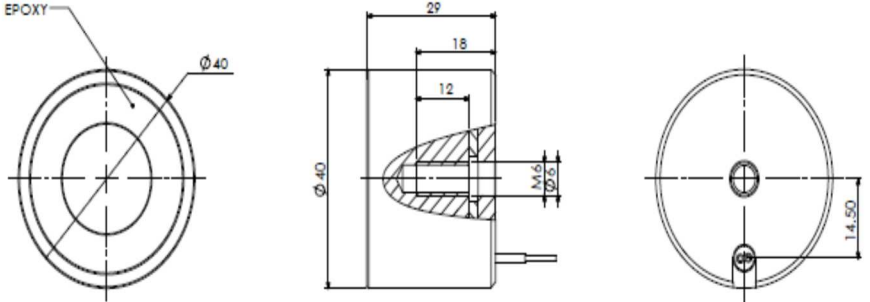
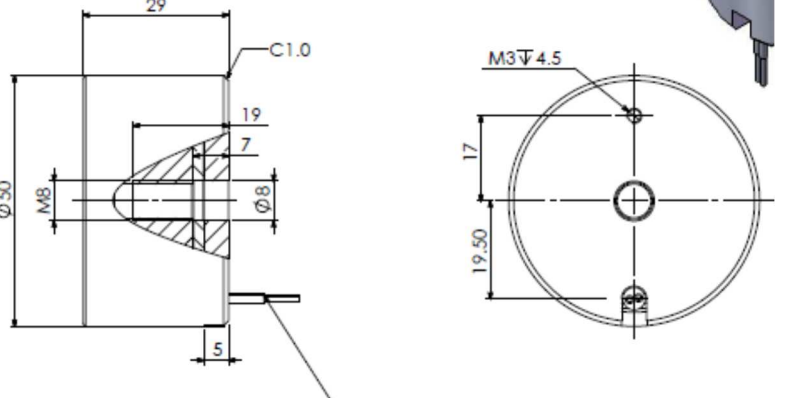
Weight: 0,11 Kgs
 Power: 8W
 Permanent holding force: 18kgs (180N)
 Anchor Plate Thickness: 3mm
 Duty Cycles: 10%
 Voltage: 12VDC or 24VDC

ITEM 35.29.30

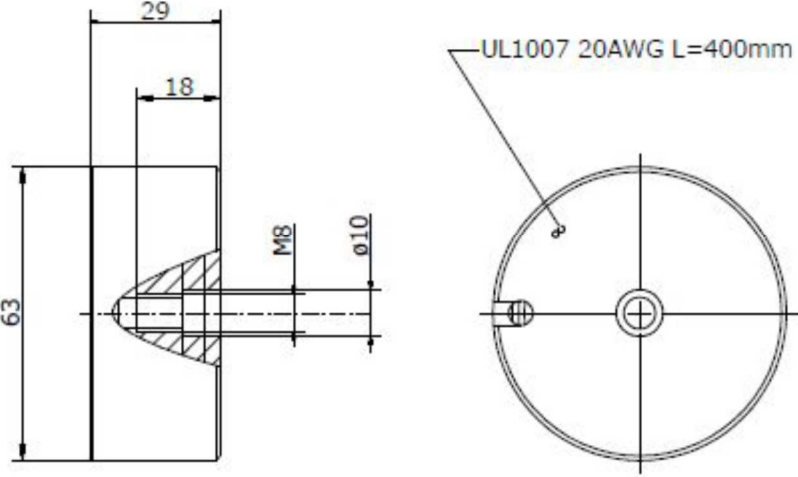
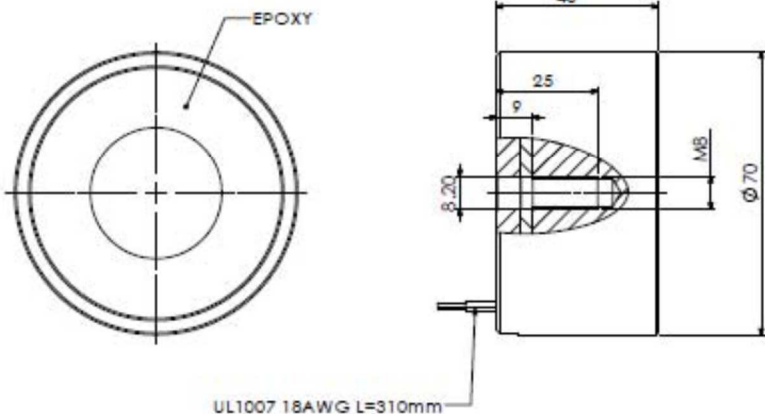


Weight: 0,165 Kgs
 Power: 28W
 Permanent holding force: 30kgs (300N)
 Anchor Plate Thickness: 3mm
 Duty Cycles: 10%
 Voltage: 12VDC or 24VDC

ELECTROMAGNET CIRCULAR SHAPE – ENERGIZE TO RELEASE:

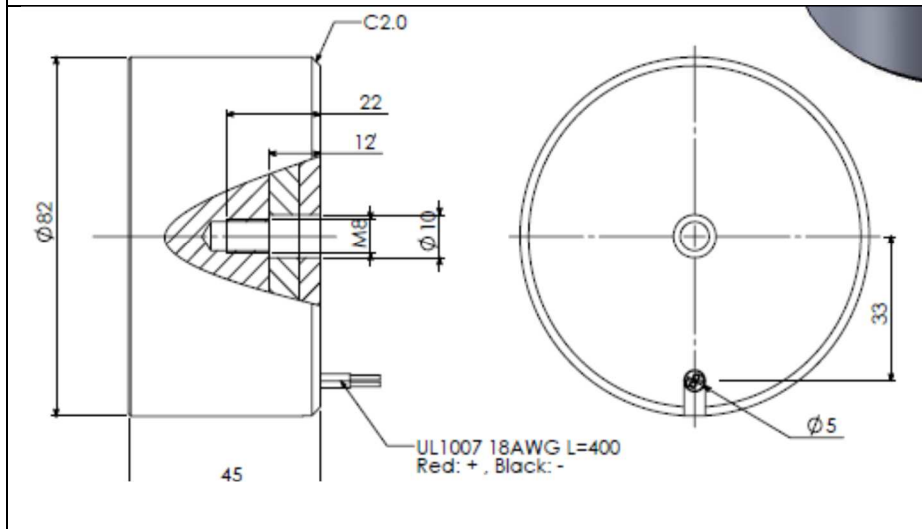
| <i>ITEM 40.29.40</i> | <i>ITEM 50.29.50</i> |
|--|---|
|  |  |
| <p>Weight: 0, 21 Kgs Power: 16W Permanent holding force: 40kgs (400N) Anchor Plate Thickness): 4mm Duty Cycles: 10% Voltage: 12VDC or 24VDC</p> | <p>Weight: 0, 32 Kgs Power: 10W Permanent holding force: 50kgs (500N) Anchor Plate Thickness: 5mm Duty Cycles: 10% Voltage: 12VDC or 24VDC</p> |

ELECTROMAGNET CIRCULAR SHAPE – ENERGIZE TO RELEASE:

| <i>ITEM 63.29.96</i> | <i>ITEM 70.40.120</i> |
|---|--|
|  |  |
| <p>Weight: 0,520 Kgs Power: 65W Permanent holding force: 96kgs (960N) Anchor Plate Thickness: 6mm Duty Cycles: 10% Voltage: 12VDC or 24VDC</p> | <p>Weight: 0,90 Kgs Power: 17.5W Permanent holding force: 120kgs (1200N) Anchor Plate Thickness: 9mm Duty Cycles: 50% Voltage: 12VDC or 24VDC</p> |

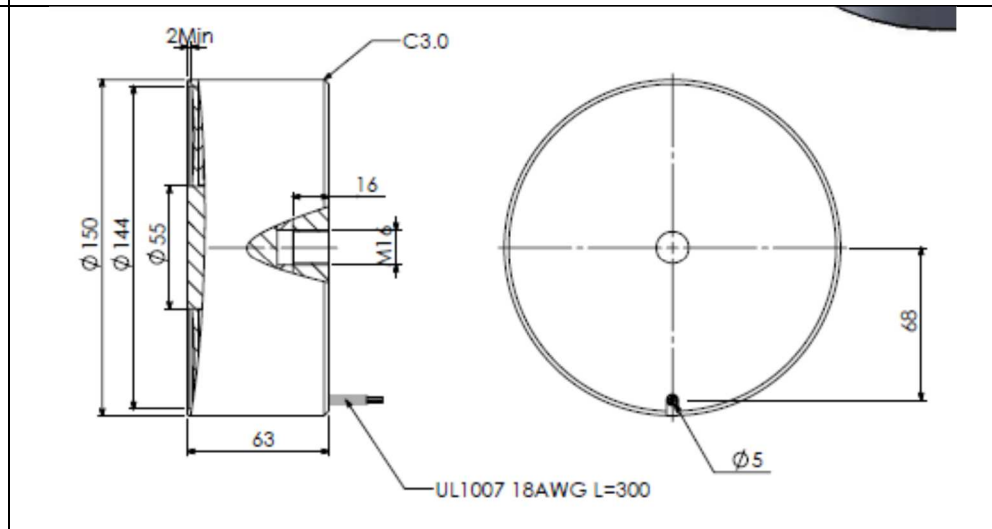
ELECTROMAGNET CIRCULAR SHAPE – ENERGIZE TO RELEASE:

ITEM 82.45.195



Weight: 1,4 Kgs
 Power: 60W
 Permanent holding force: 195kgs (1950N)
 Anchor Plate Thickness: 10mm
 Duty Cycles: 10%
 Voltage: 12VDC or 24VDC

ITEM 150.63.350



Weight: 6,6 Kgs
 Power: 44W
 Permanent holding force: 350kgs (3500N)
 Anchor Plate Thickness: 15mm
 Duty Cycles: 10%
 Voltage: 12VDC or 24VDC